



# Quixxsmart™ Components Physical Specifications



## Determine Tube Cut Length

- **To determine the cut length for an inside dimension:**  $XI - 1 \frac{3}{4}$  (or 44.5 mm.) See Figure 6
- **For outside dimension:**  $XO - 3 \frac{7}{8}$  or 98mm  
See Figure 6  $-3 \frac{7}{8} + \frac{3}{16}$
- **To determine stringer cutsize  $x$  between three uprights:**  $XOL - 7"$  or  $178\text{mm}/2 = X$  See Figure 8

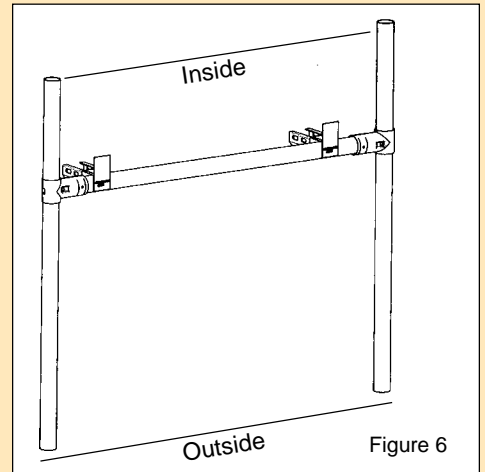
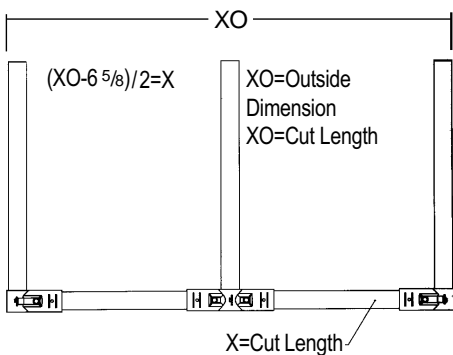


Figure 6

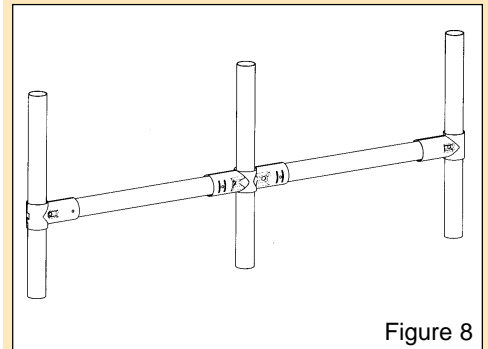


Figure 8

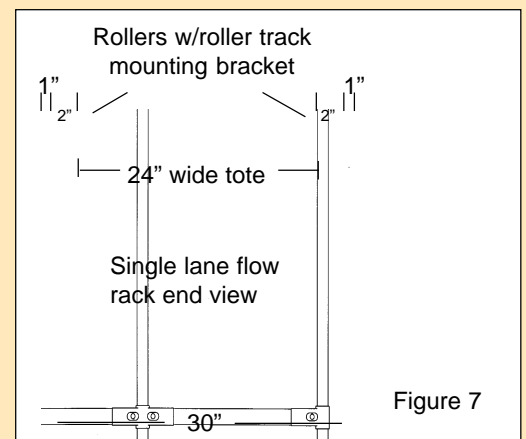
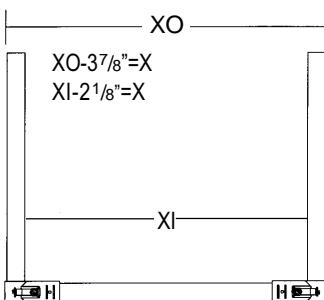
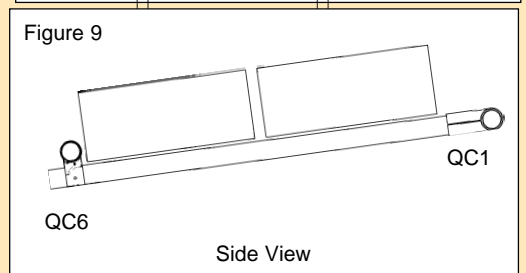
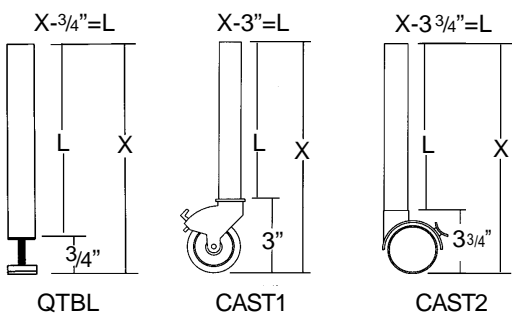


Figure 7

Formula to calculate leg height



Side View